

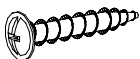

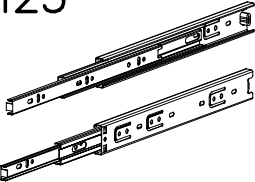


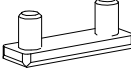
E11  x5

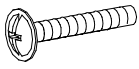
S1  1080mm x1

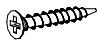
G8  4x30 x9

B2  $\varnothing 6 \times 30$ x12

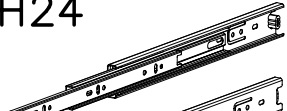
H23  300mm x1


P3  x5


N13  M4x22 x10

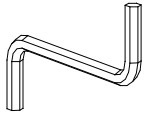
G2  3x20 x50


W1  GLUE, LEIM, LEPIDLO, LIM x4

H24  350mm x5

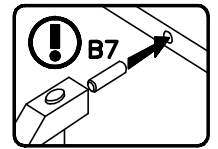
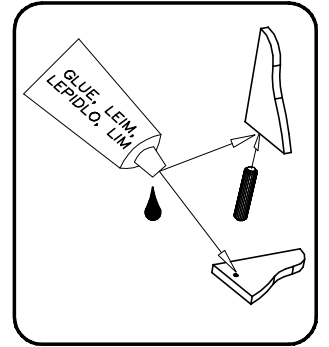
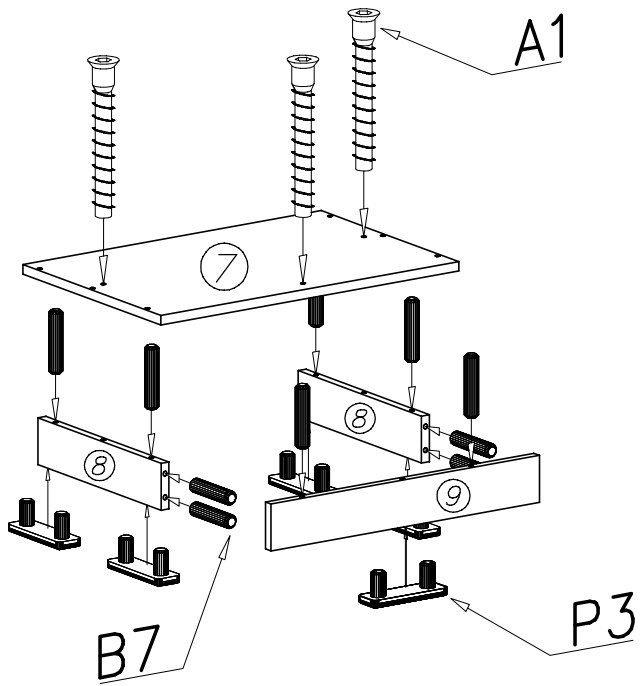
A1  $\varnothing 7 \times 50$ x7

B7  $\varnothing 8 \times 30$ x74

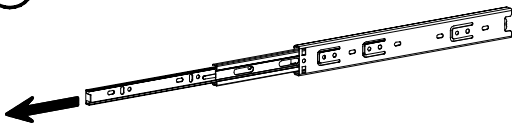
W2  x1

G1  4x13 x60

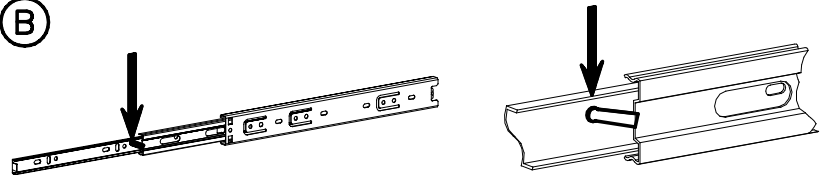
I



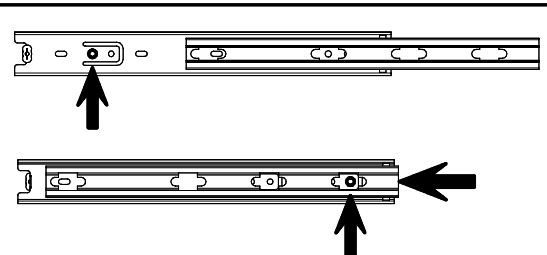
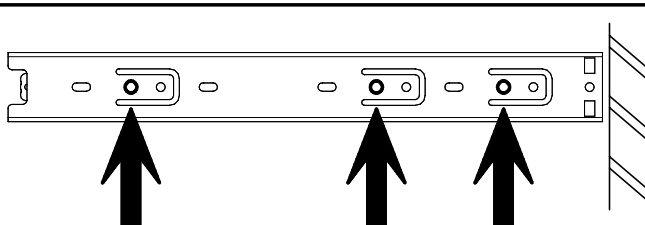
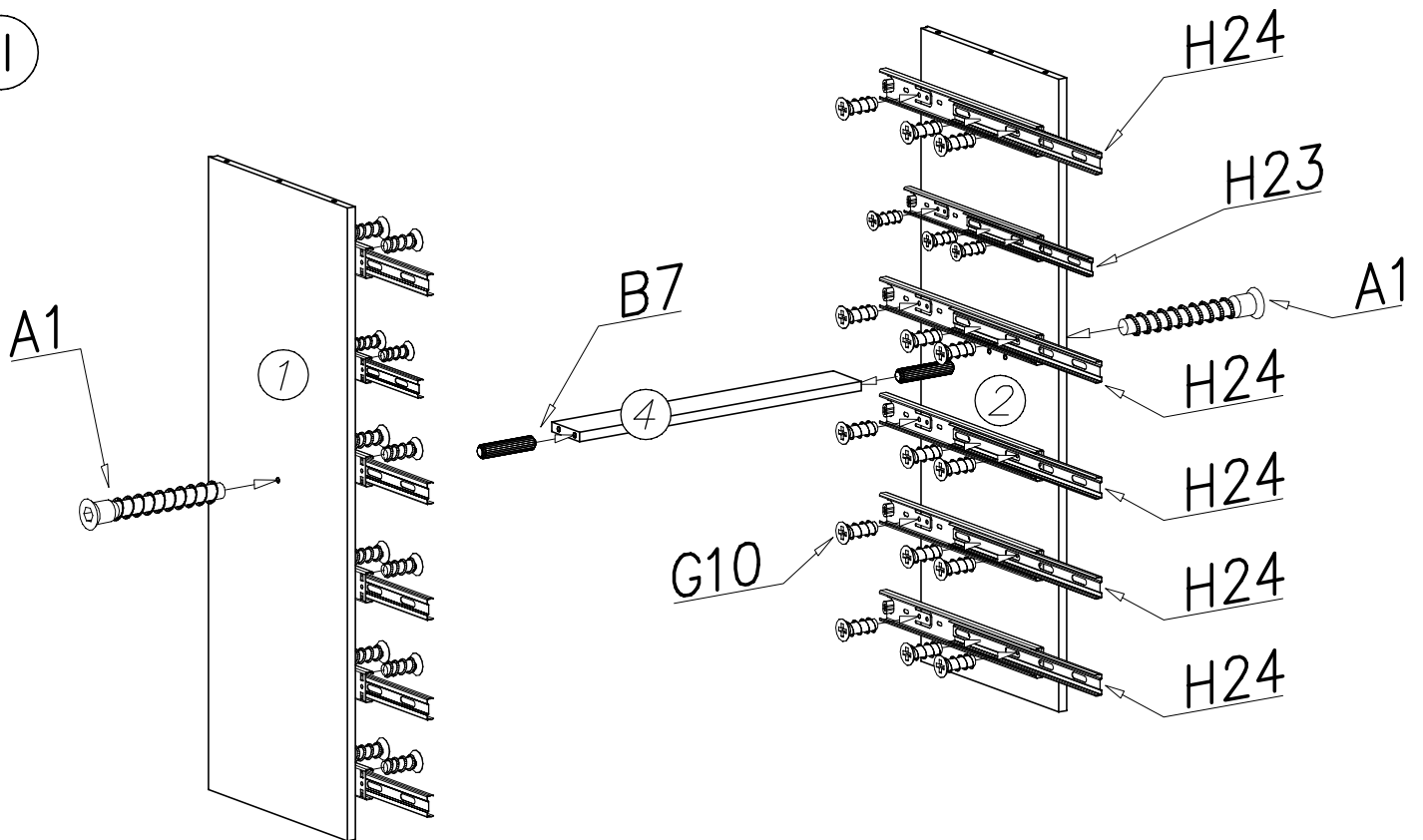
A

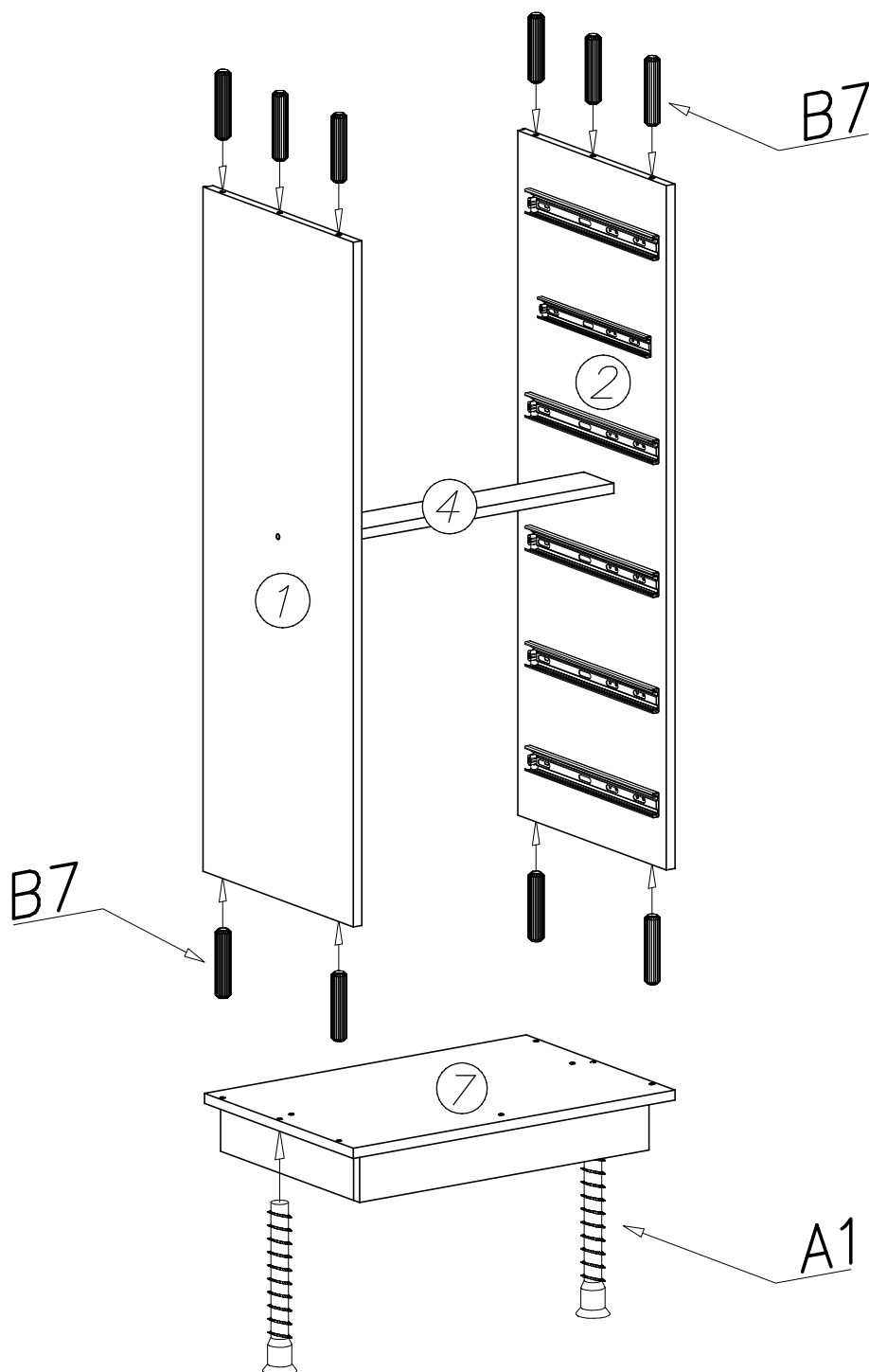
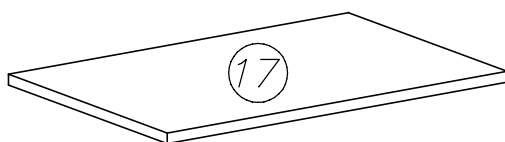
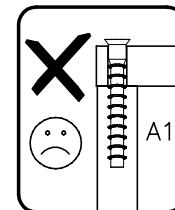
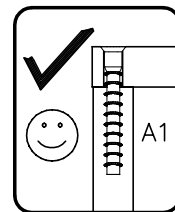
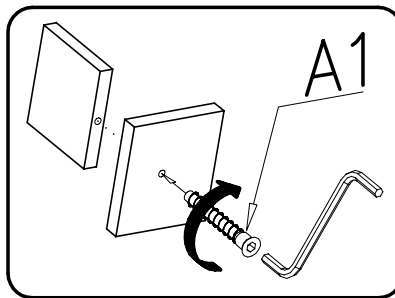
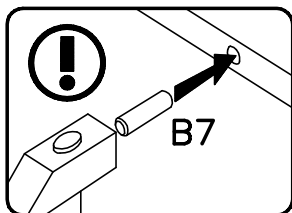
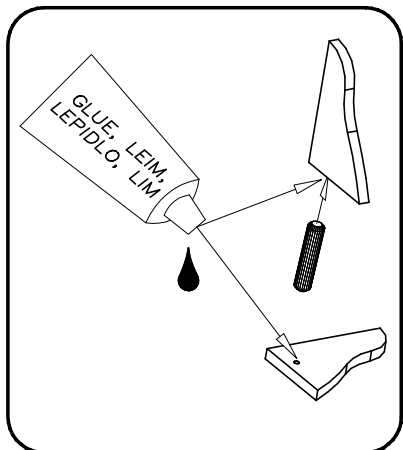


B

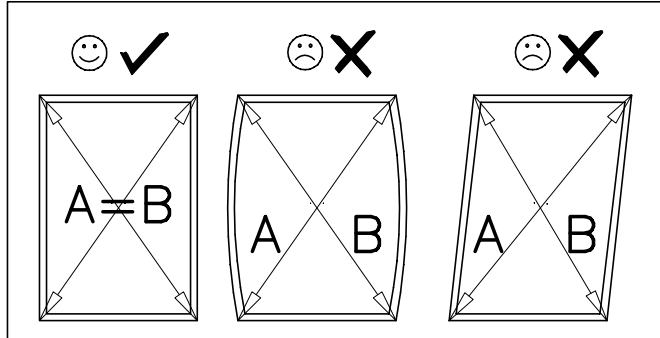
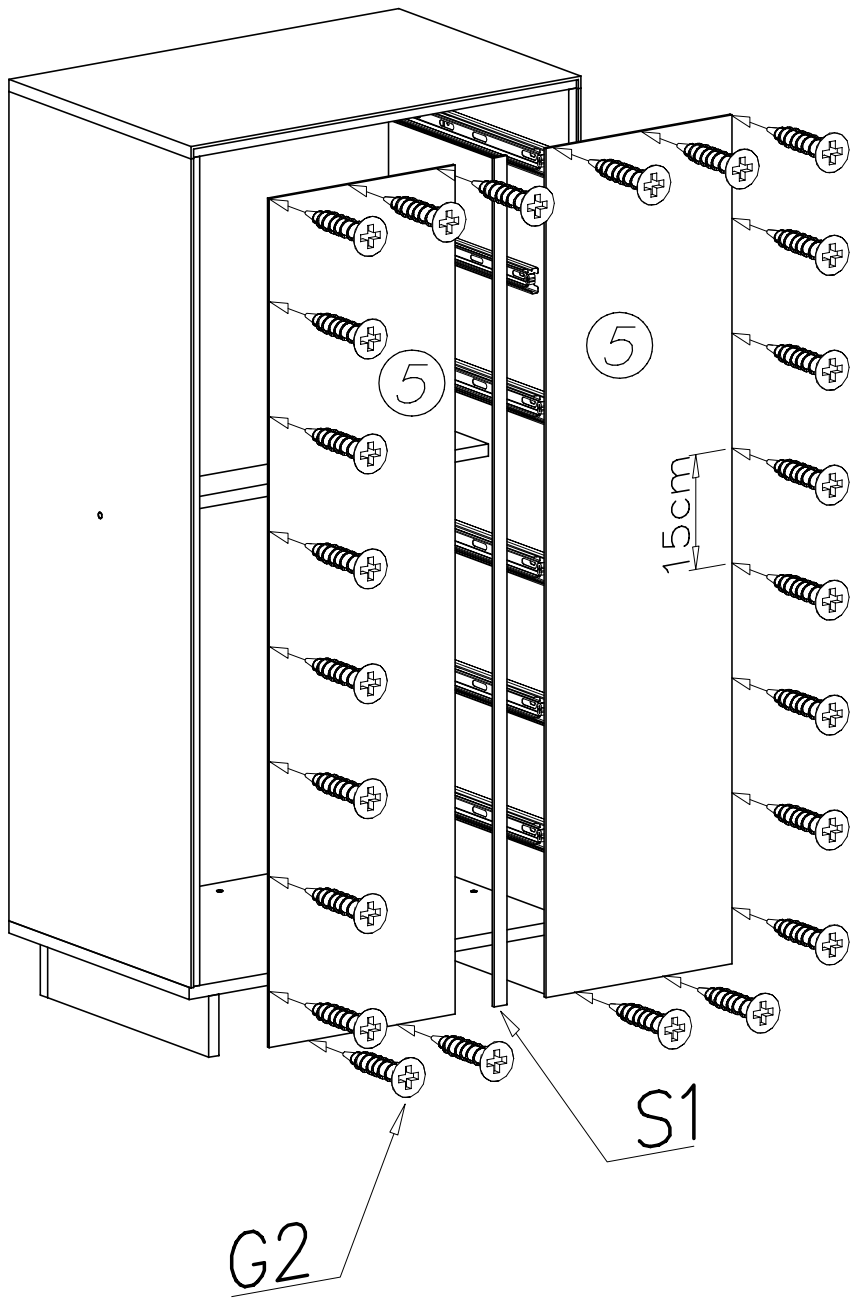


II

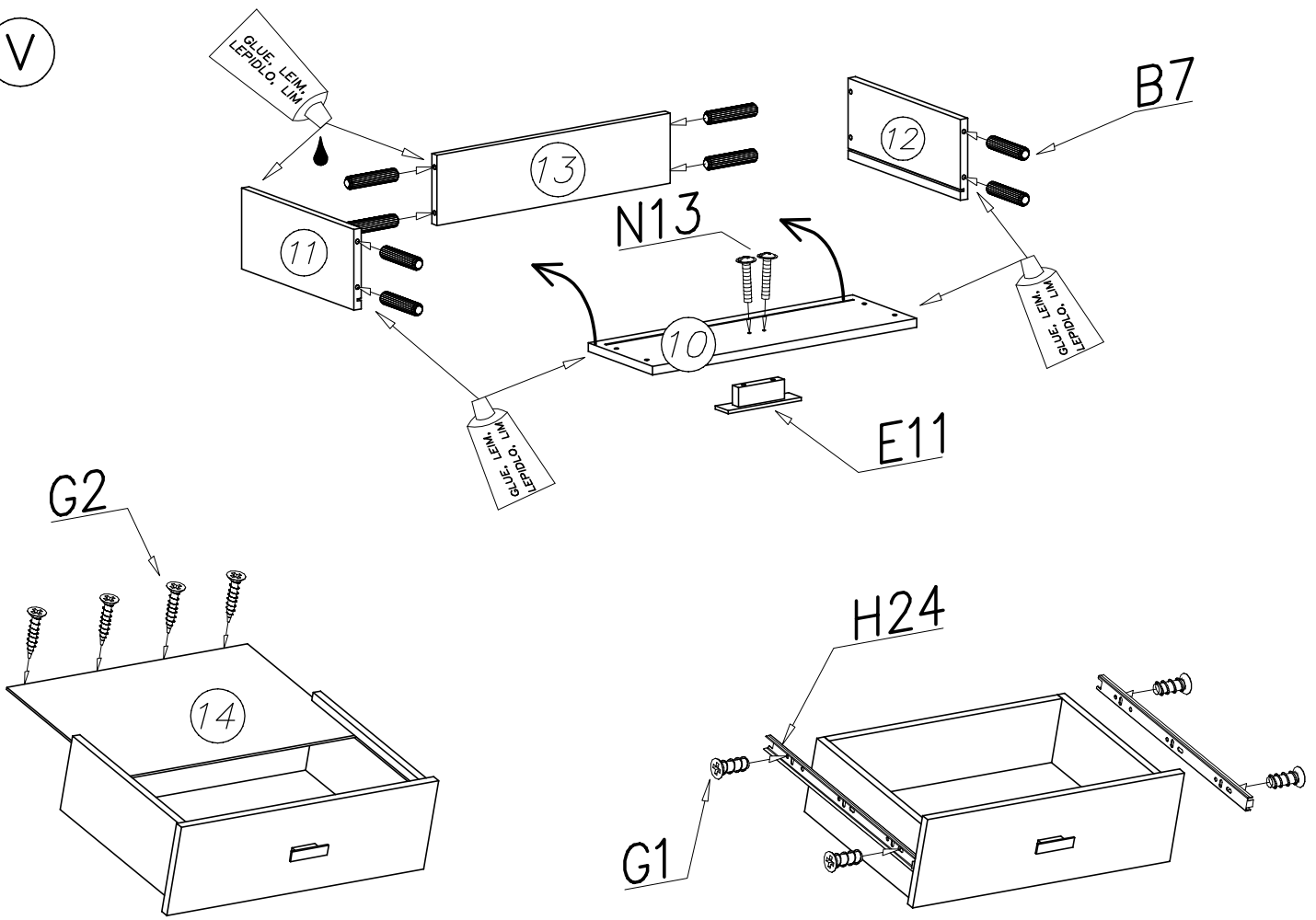




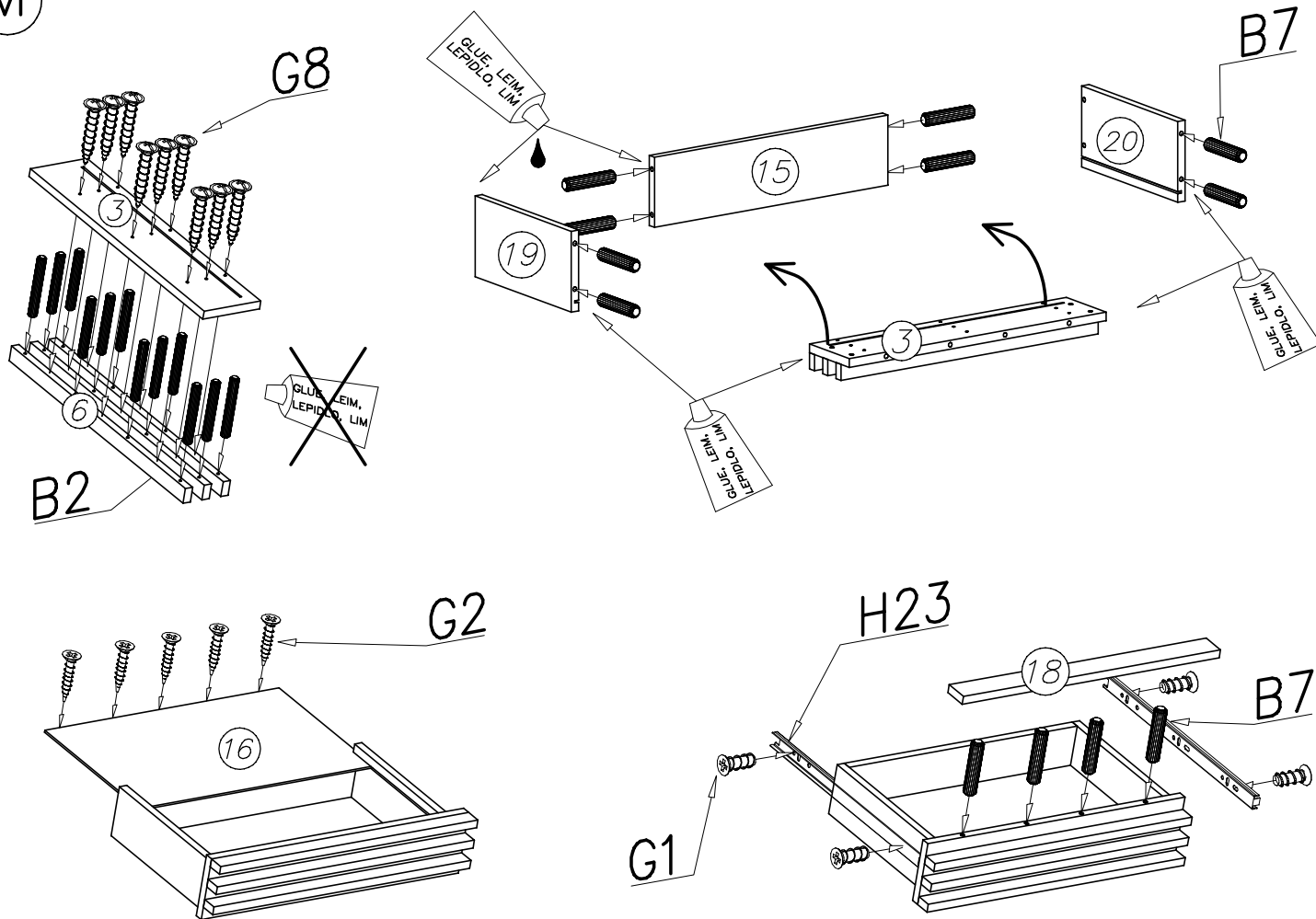
IV



V



VI



VII

