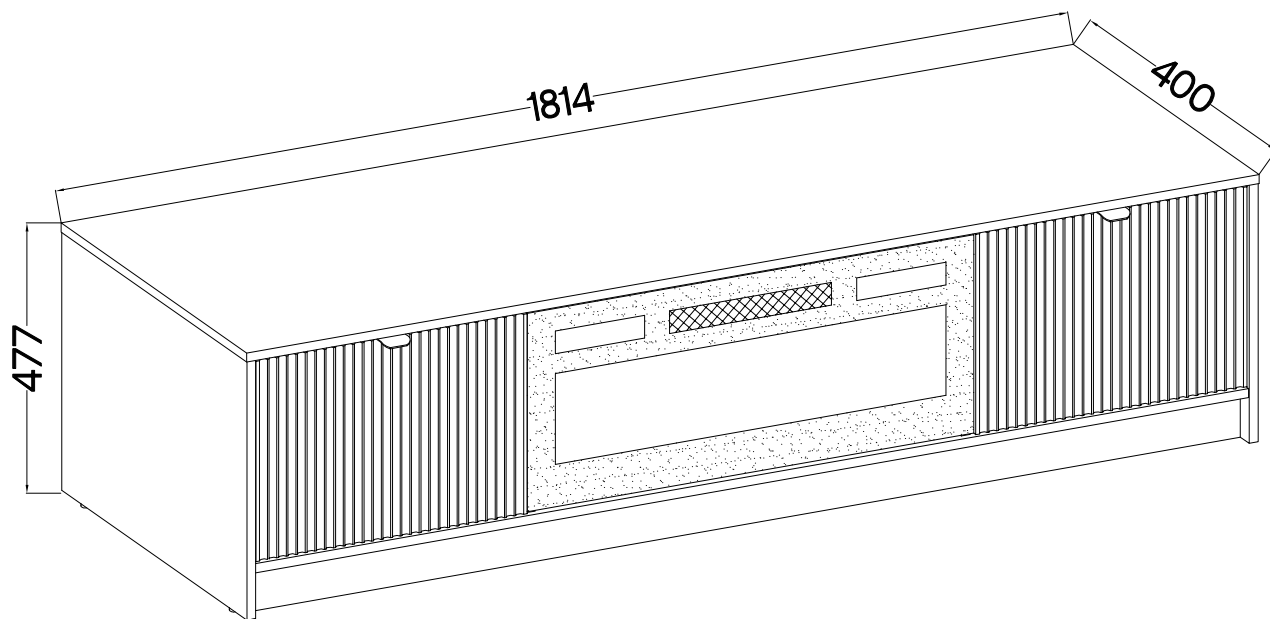
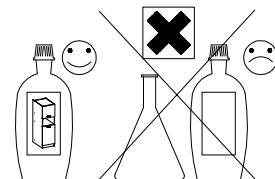
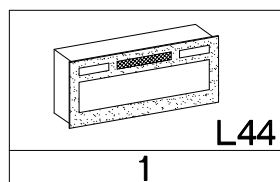


60 min

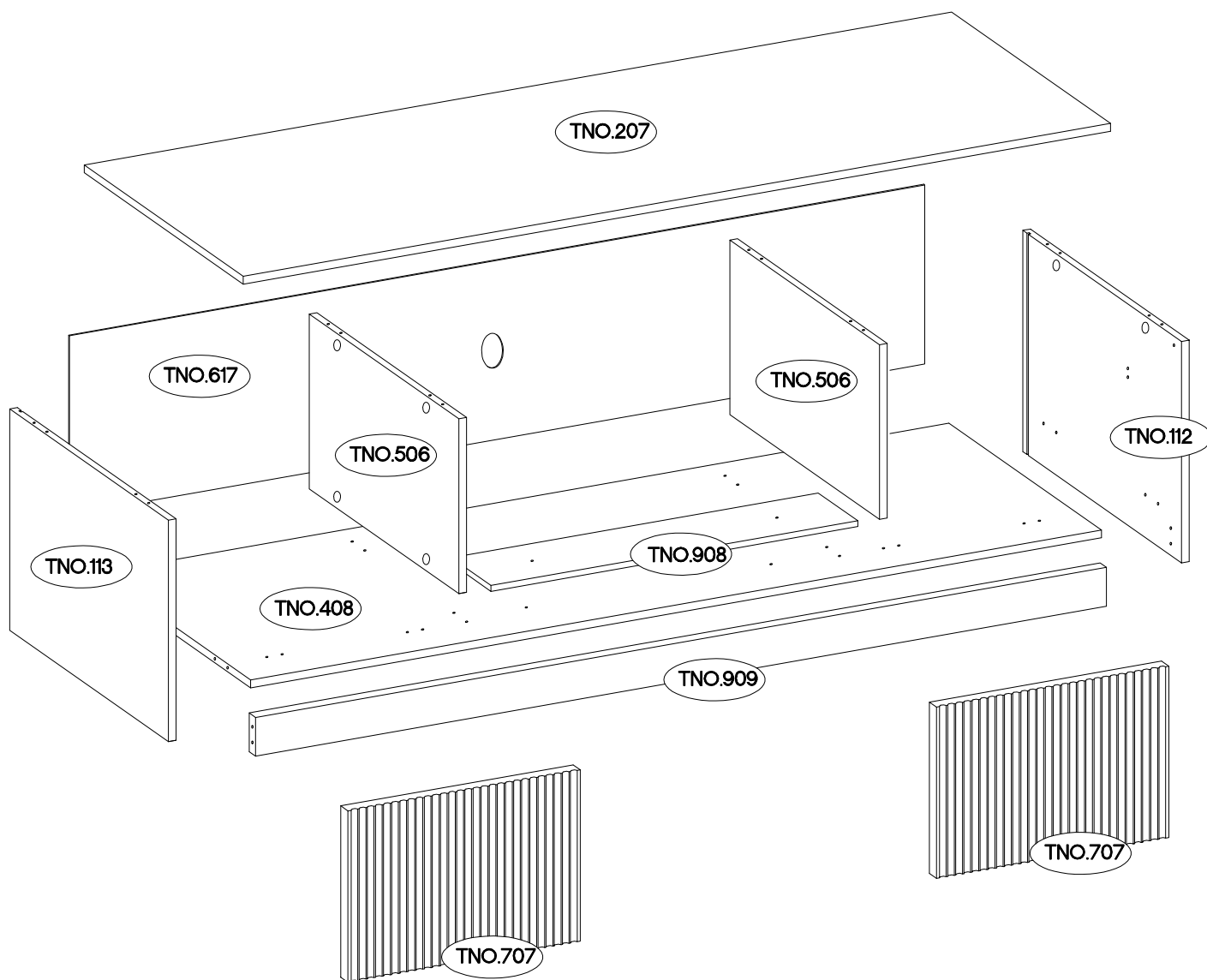


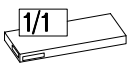
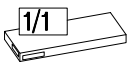
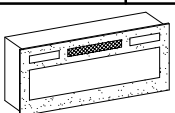
 †8x30mm A	 †15/12mm C	 L=20mm D2	 E	 †15x5mm F4
20	16	16	12	5

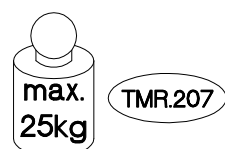
 †35/16mm HG2	 †12mm J12	 L=270mm 80 N K33	 BARKOWY L	 †4.0x16mm P1	 †3.5x13mm P5	 †3.0x20mm P7	 †4.0x25mm P14	 L=32mm S	 T3
4	2	2	10	2	8	16	2	2	1



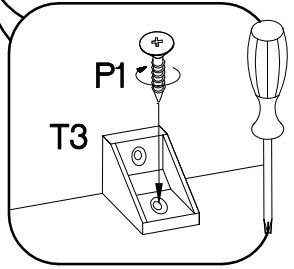
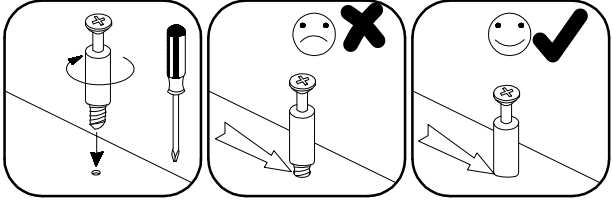
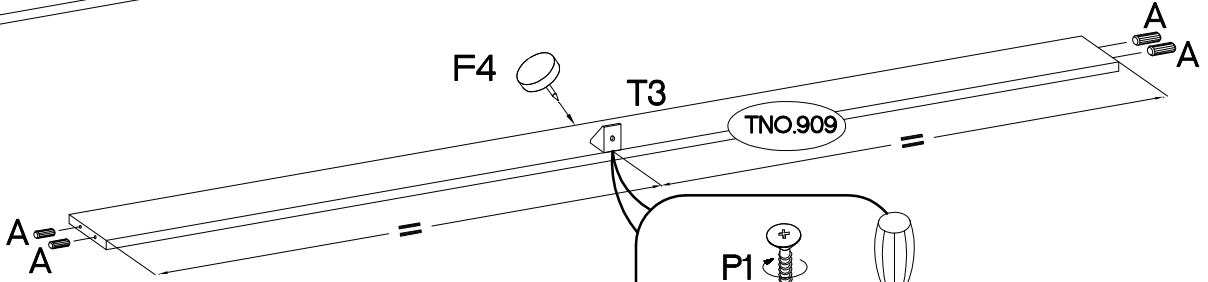
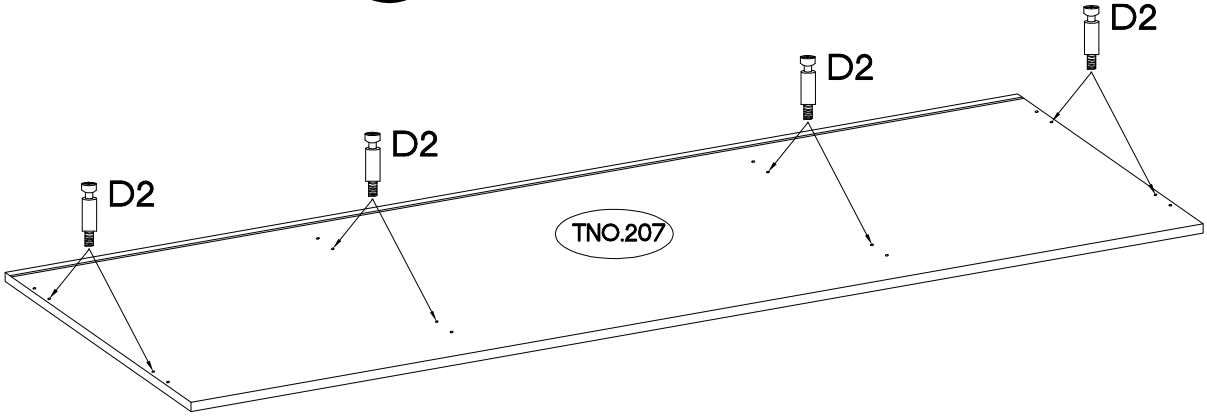
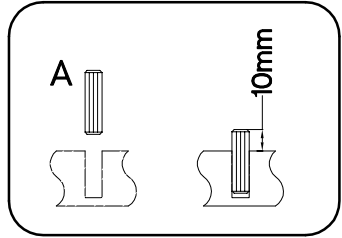
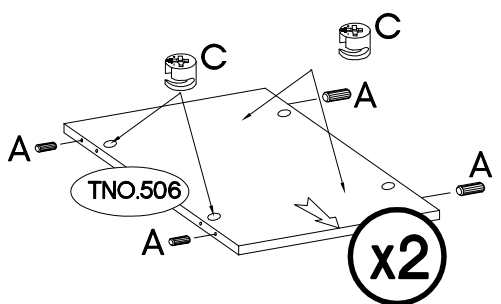
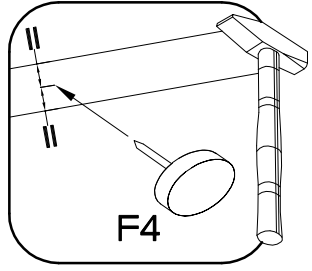
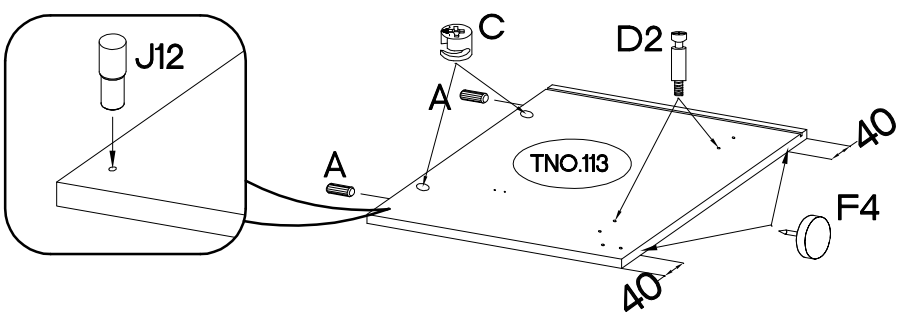
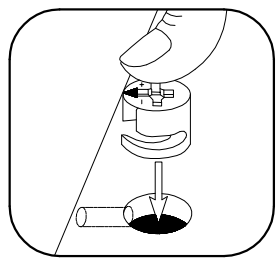
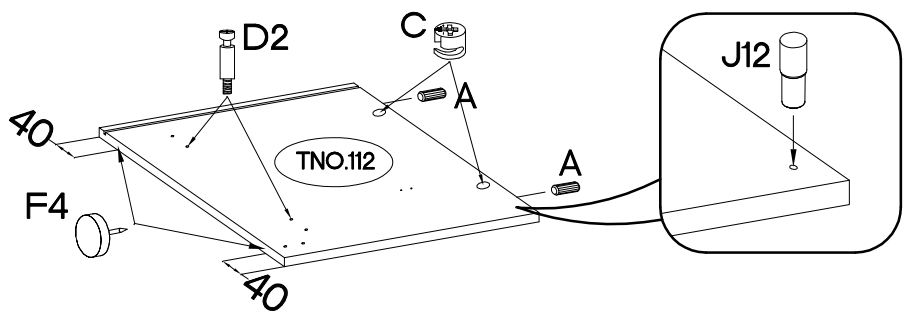
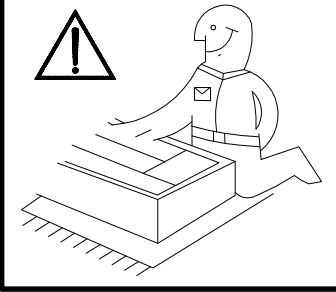
1



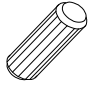
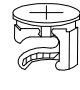
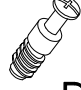
 1/1	TNO.112	456x399x16
	TNO.113	456x399x16
	TNO.506 x2	360x376x16
	TNO.207	1814x400x16
	TNO.617	1789x379x2,5
	TNO.908	764x100x16
	TNO.909	1780x80x16
	TNO.707 x2	353x486x18
 1/1	 L44	

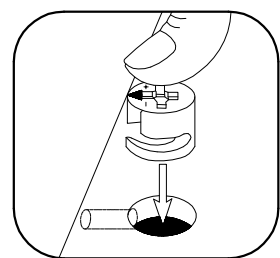
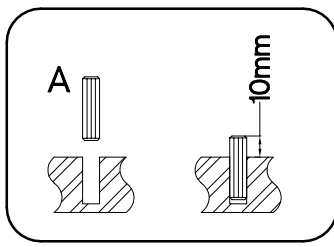
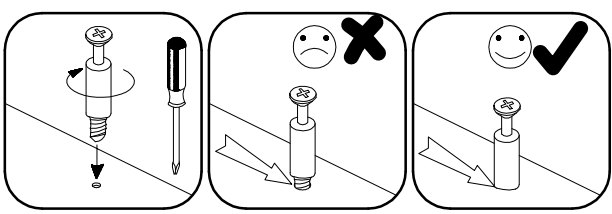
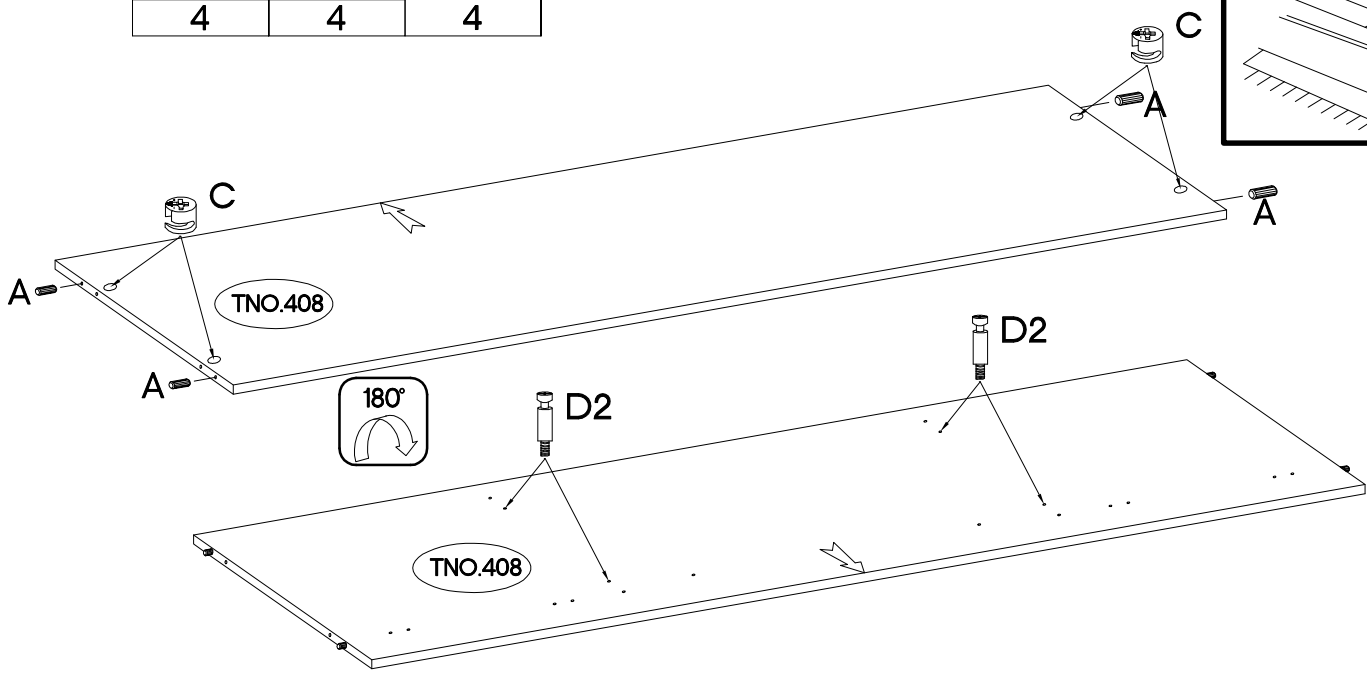
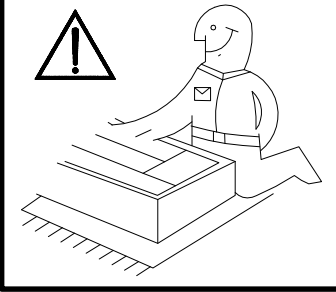


±8x30mm A 16	±15/12mm C 12	L=20mm D2 12	J12 2	T3 1	±4.0x16mm P1 1	±15x5mm F4 5
--------------------	---------------------	--------------------	----------	---------	----------------------	--------------------

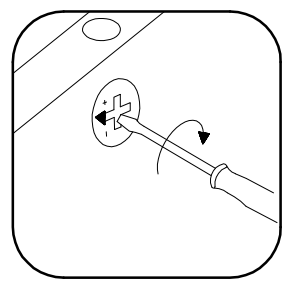
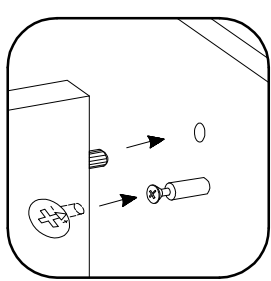
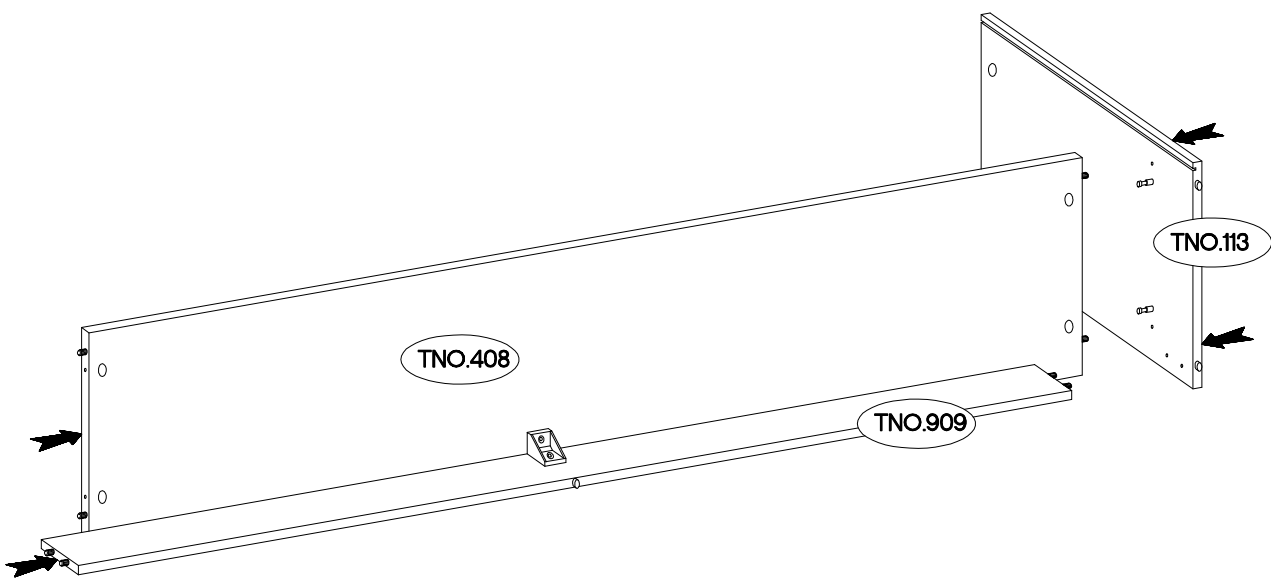


2

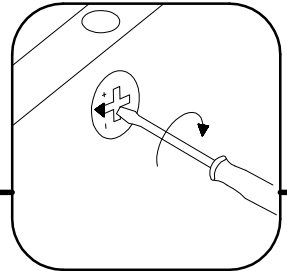
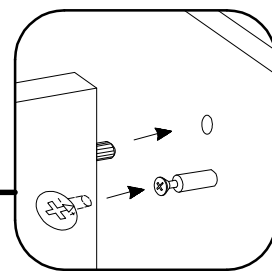
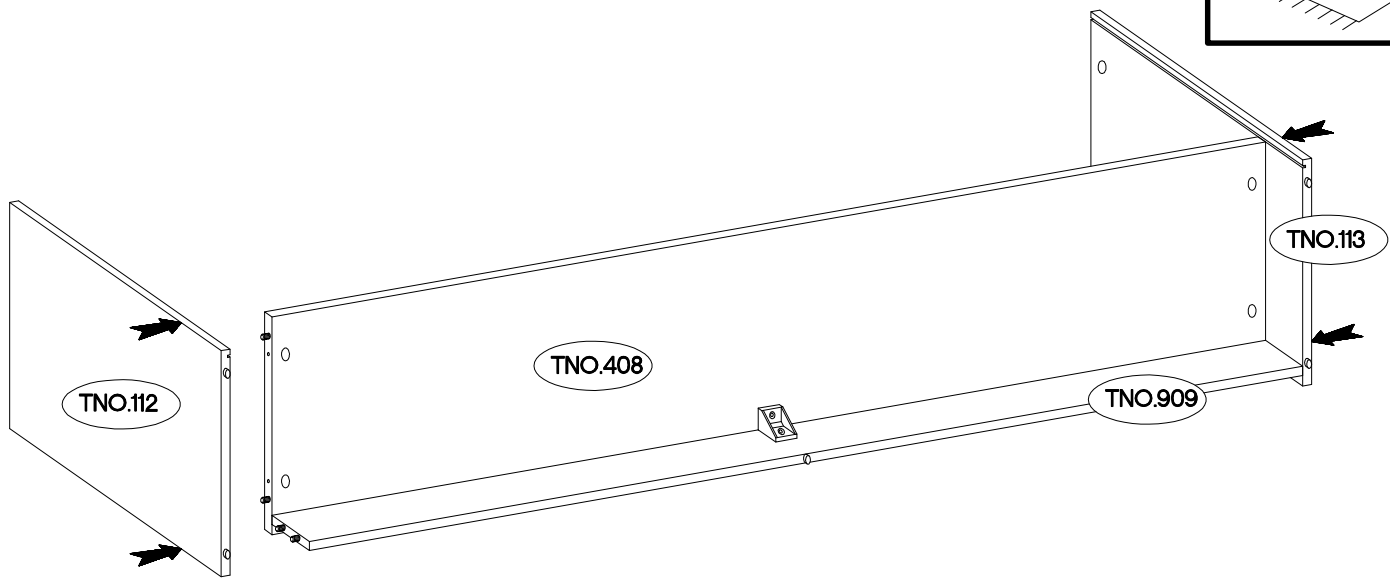
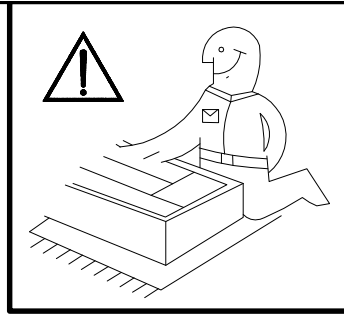
$\varnothing 8 \times 30 \text{mm}$  A 4	$\varnothing 15 / 12 \text{mm}$  C 4	L=20mm  D2 4
---	---	---



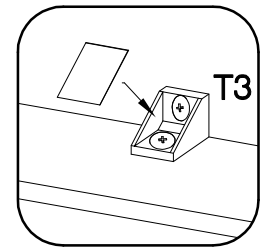
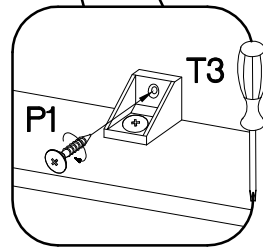
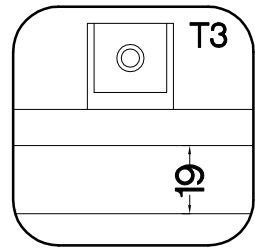
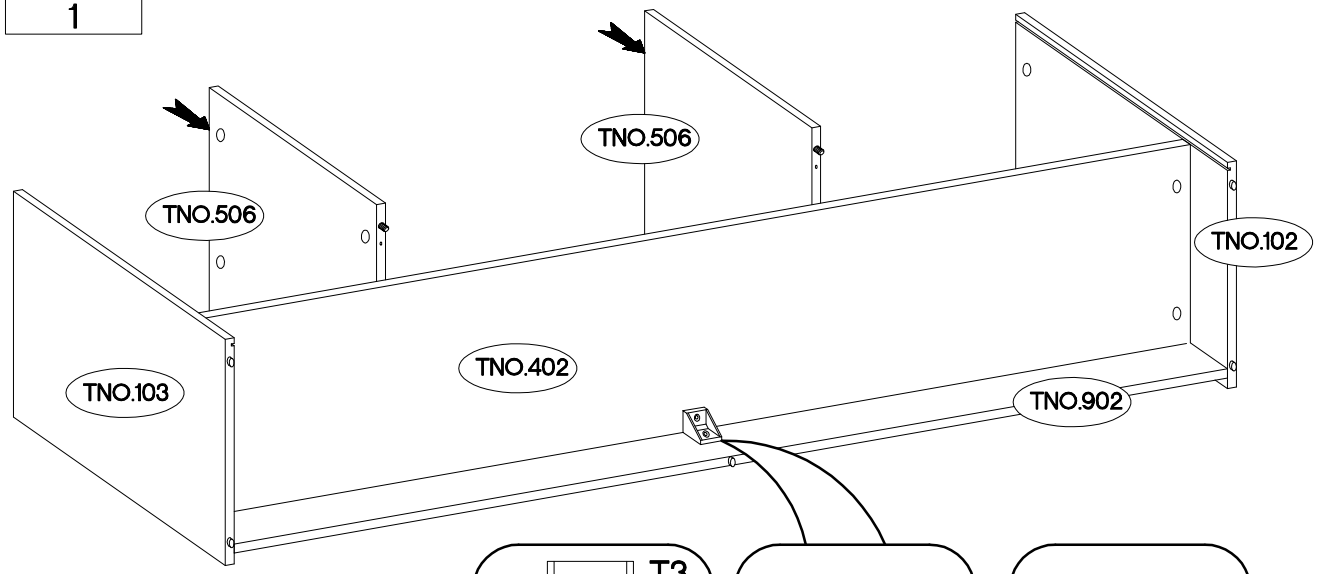
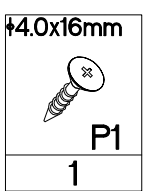
3



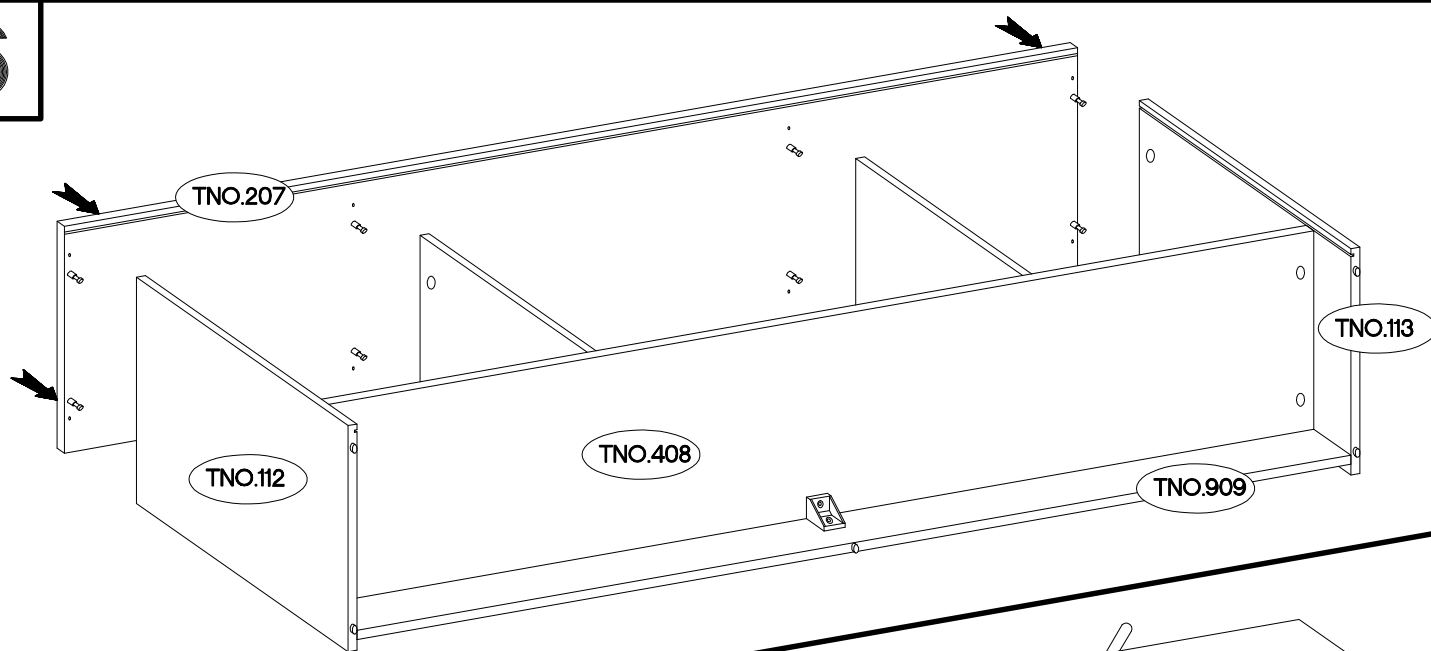
4



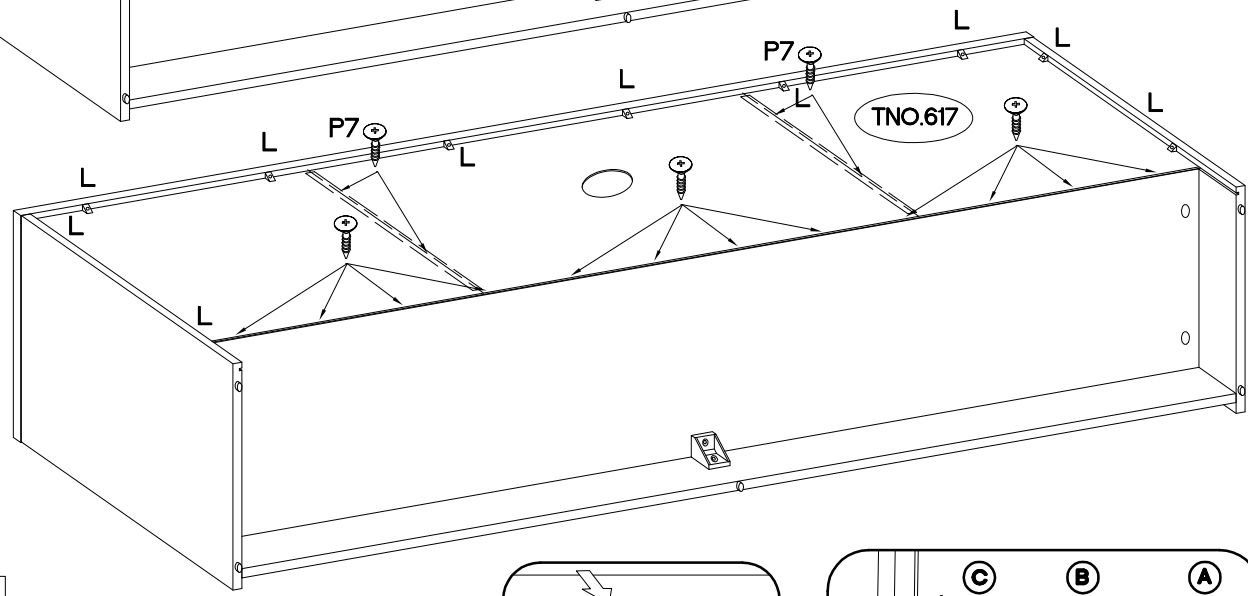
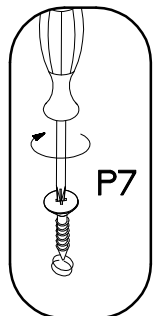
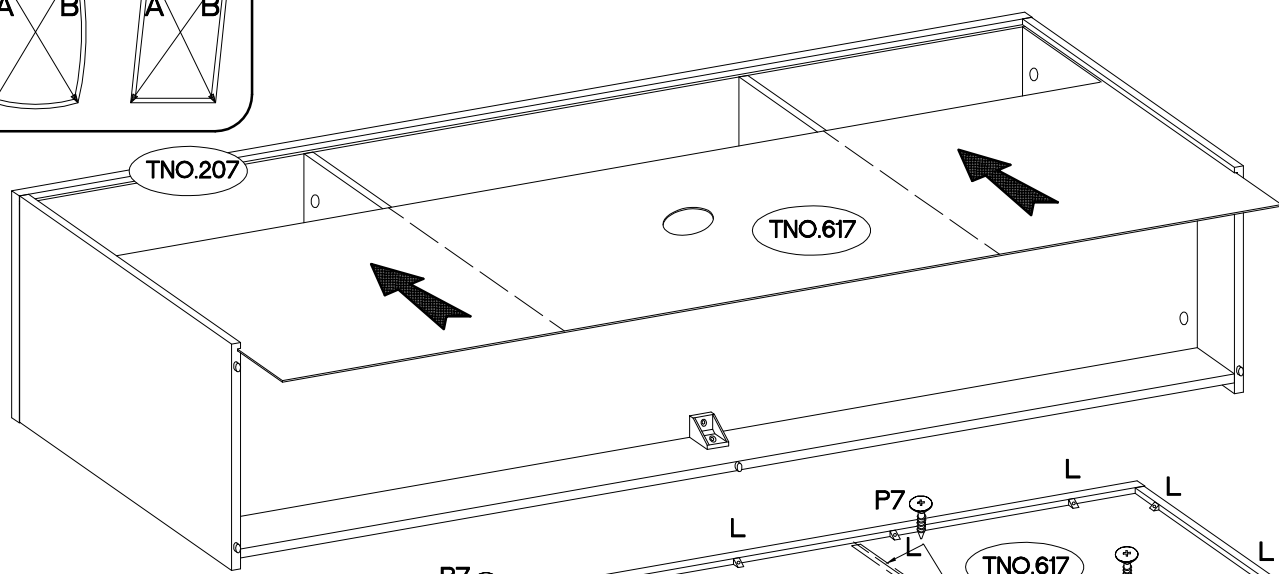
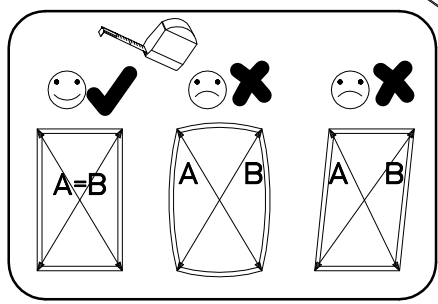
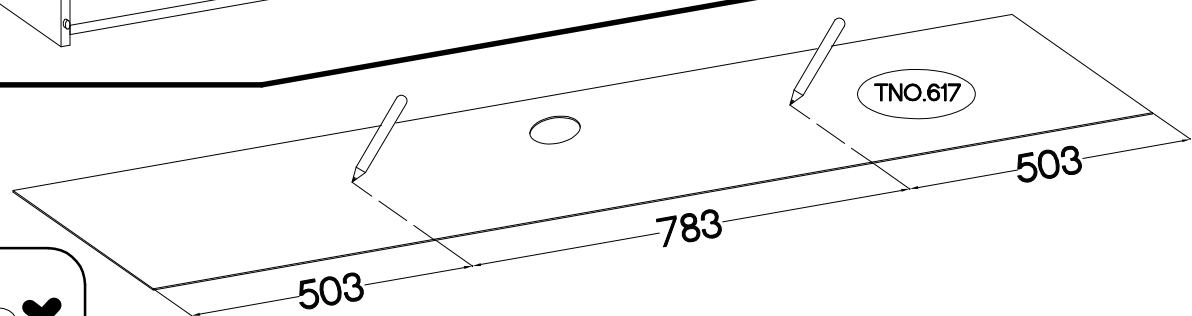
5


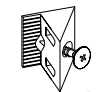


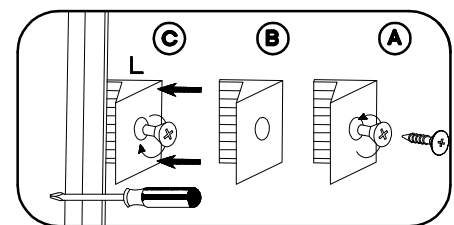
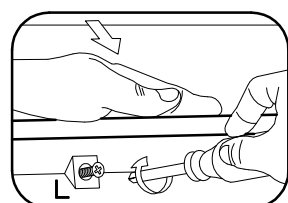
6



7



<p>∅3.0x20mm</p>  <p>P7</p> <p>16</p>	 <p>L</p> <p>10</p>
---	--



8

±4.0x25mm



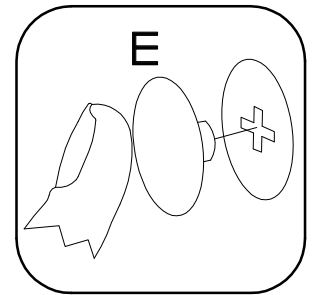
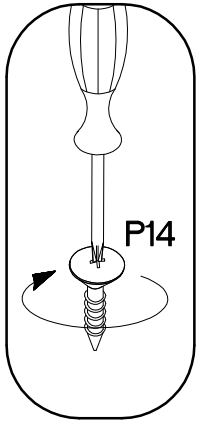
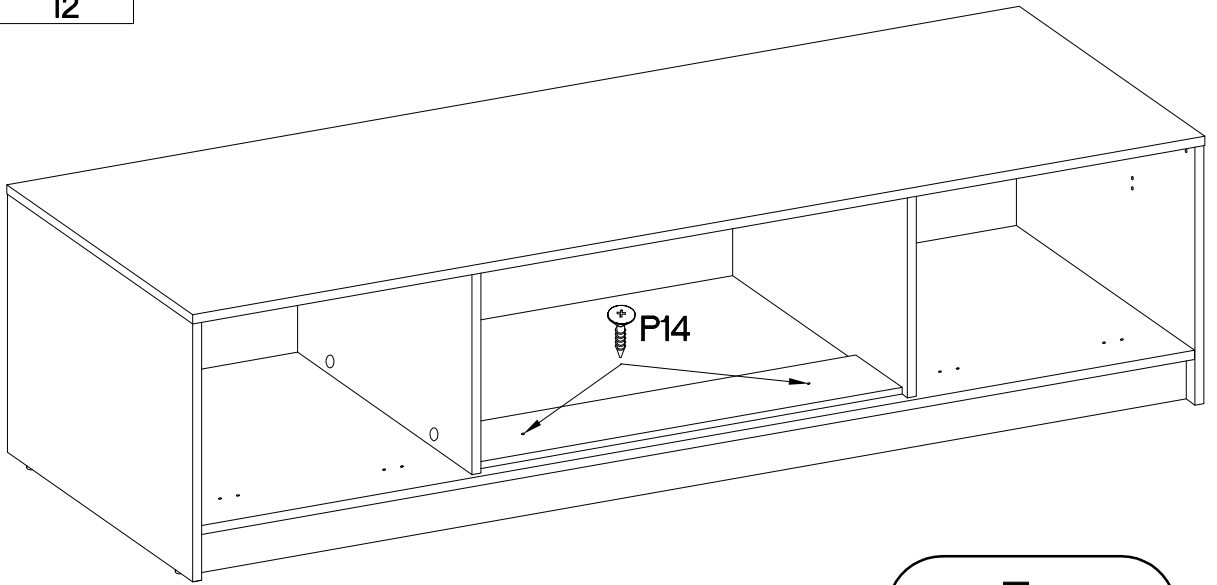
P14

2



E

12



9

±35/16mm

±3.5x13mm

L=270mm
80 N

BARKOWY



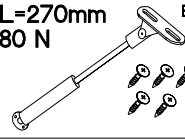
HG2

4



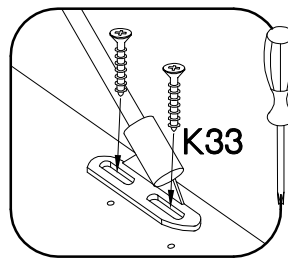
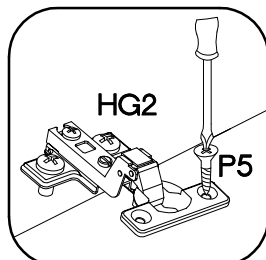
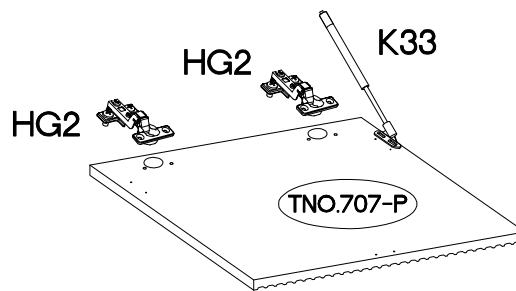
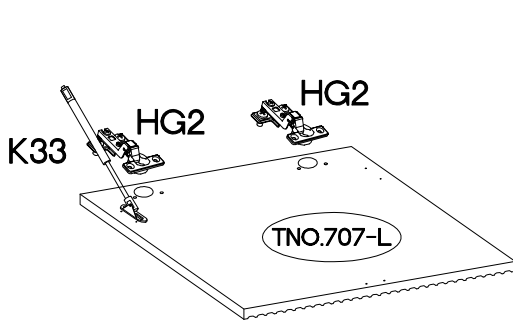
P5

8

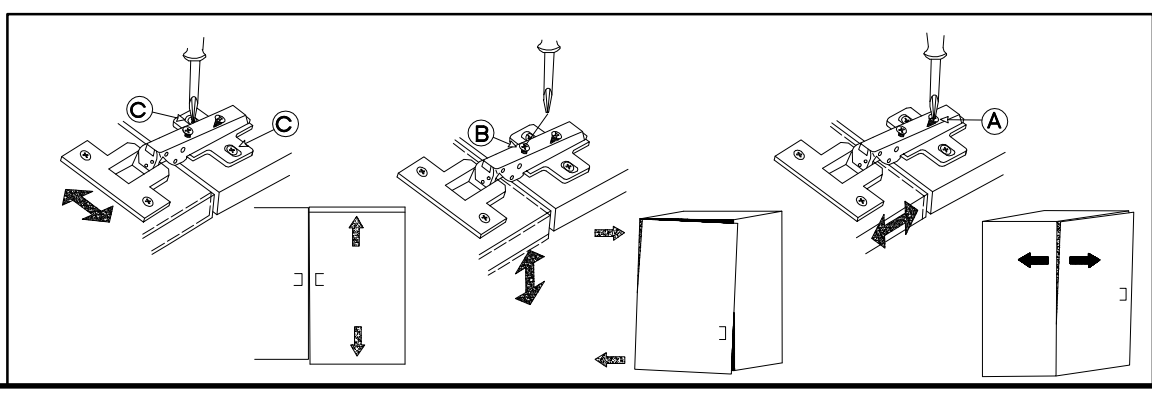
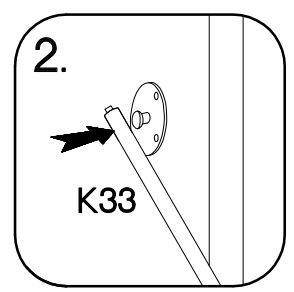
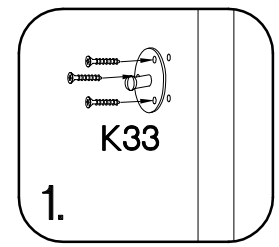
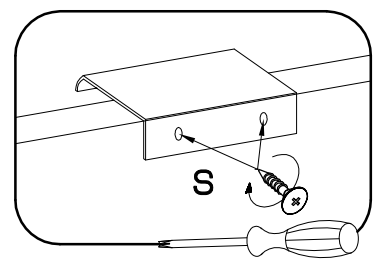
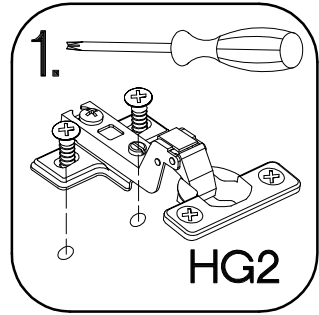
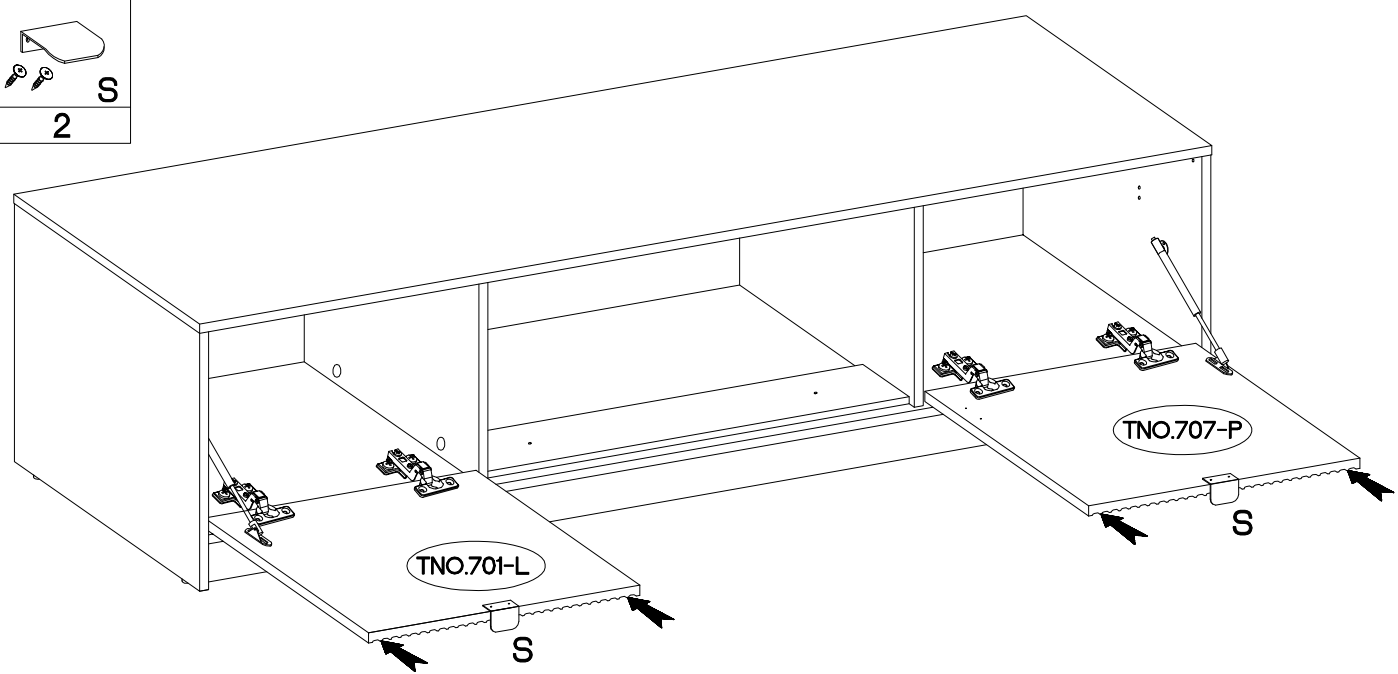


K33

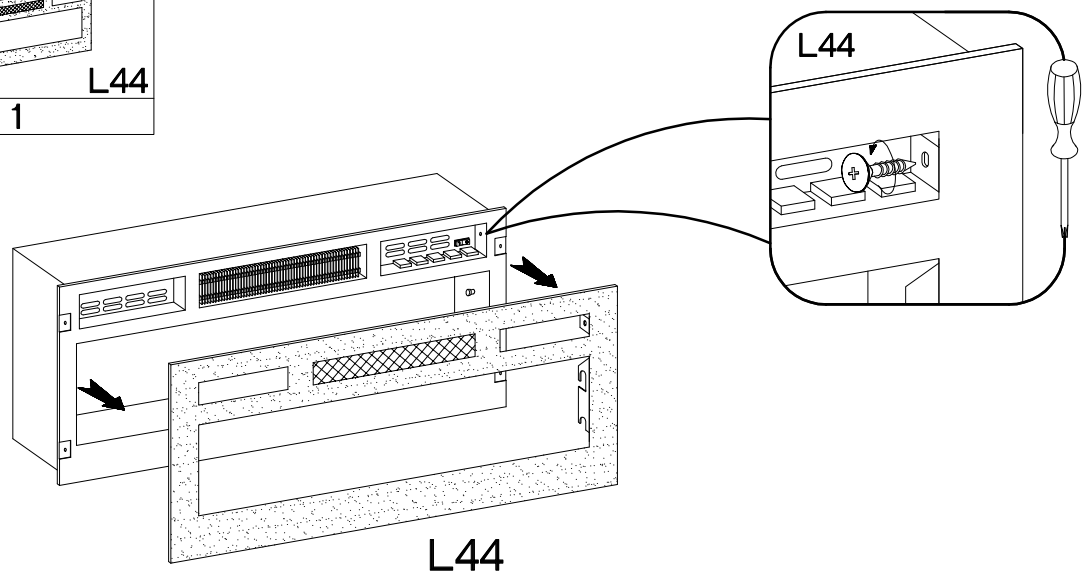
2



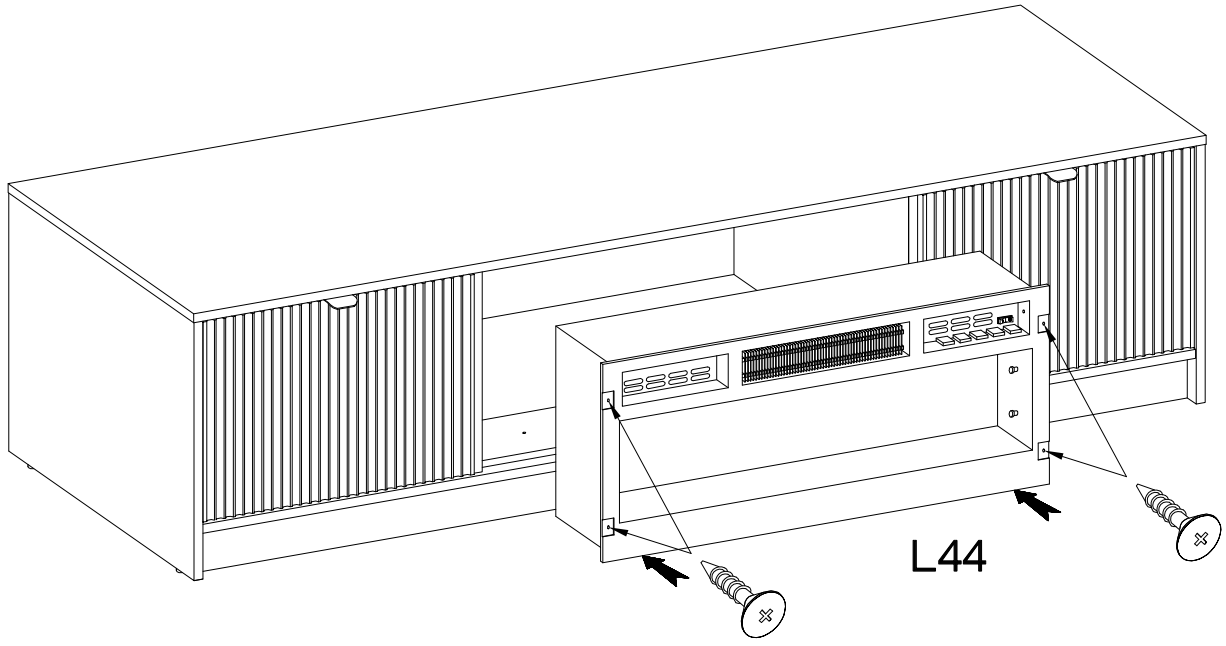
L=32mm
S
2



L44
1



12



13

